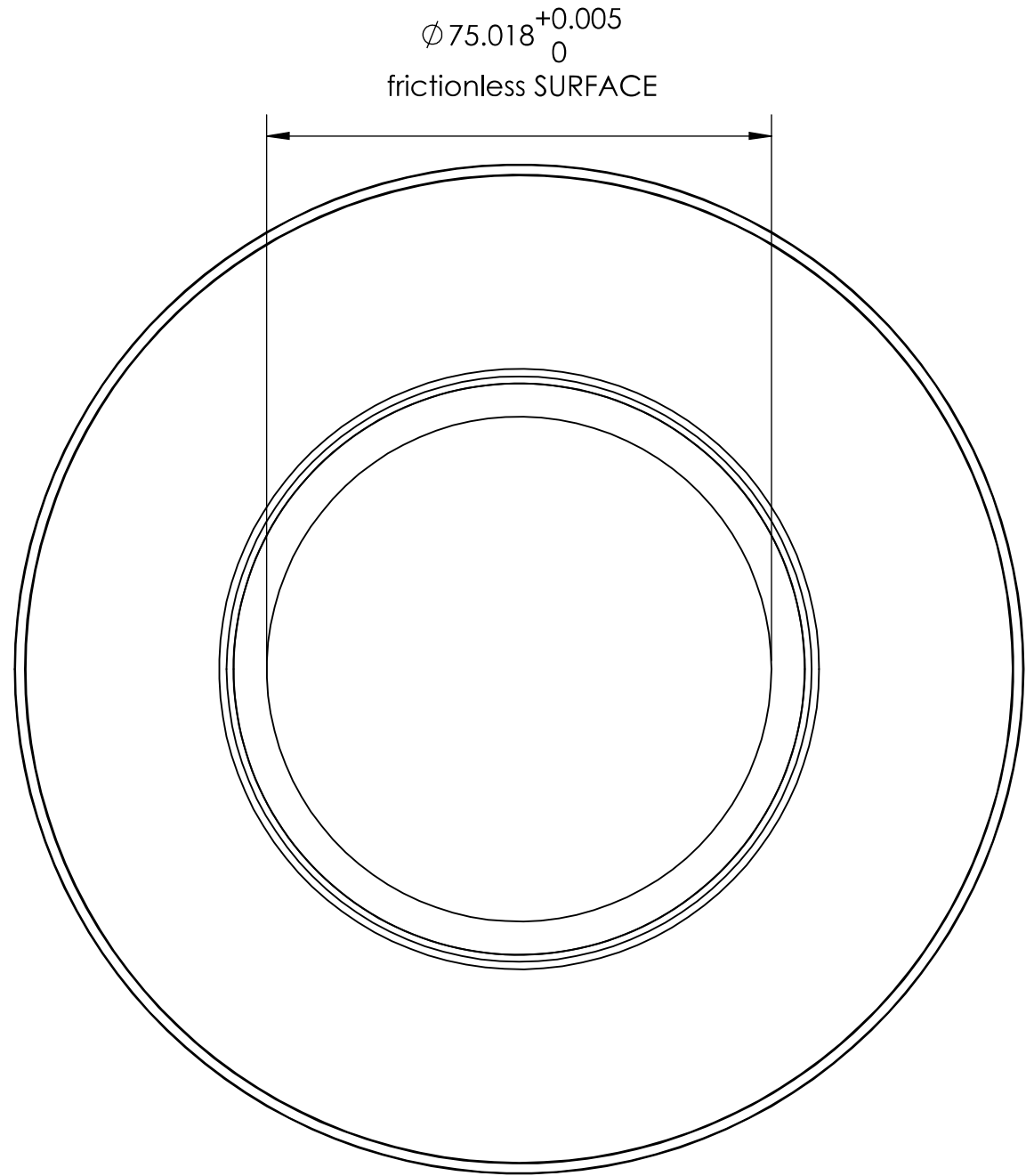
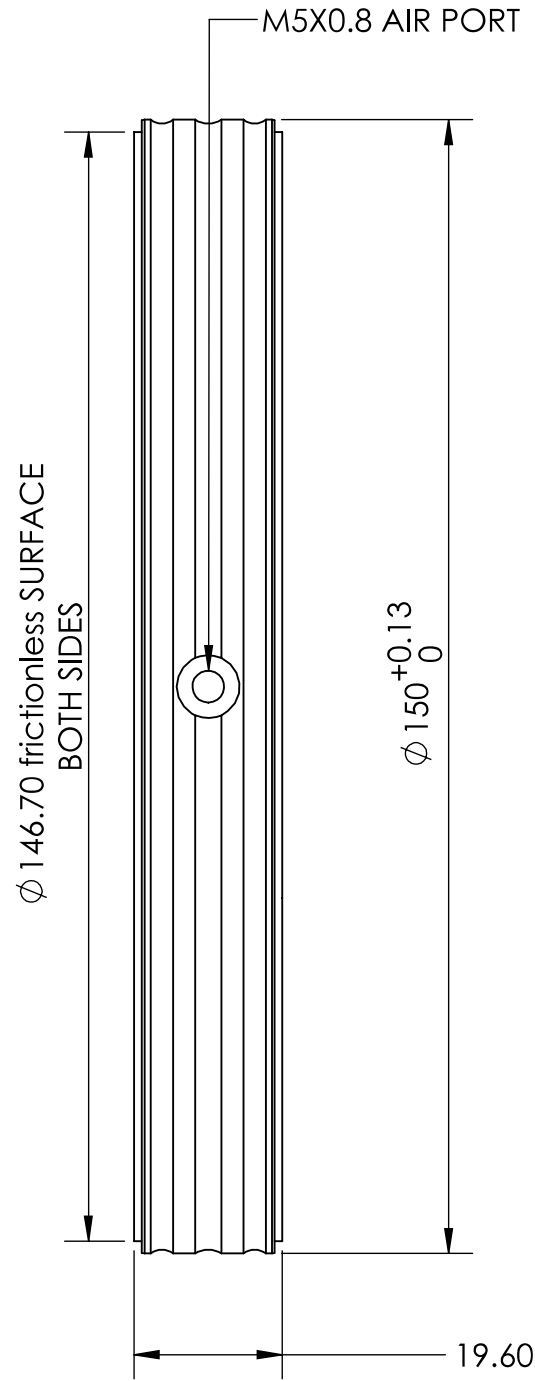
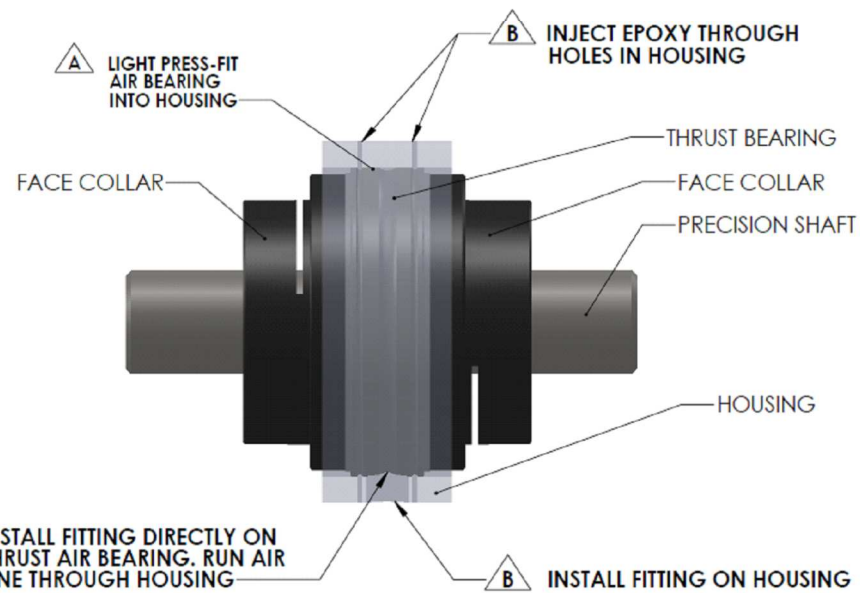


Size	75mm ID
Part Number	OAVTR150i75
Housing Material/Finish	7075 Aircraft Quality Aluminum
Input Pressure	60 psi - 100 max psi
Porous Material	Carbon
Pressure Port Threads	M5x0.8
Lifetime	infinite
Radial Load Capacity	64.4 lbs (286.5 N)
Thrust Load Capacity	498.0 lbs (2215.2 N)
Radial Stiffness	0.20 lbs/μ in (34.8 N/μ m)
Pitch Moment Max	63 lbs-in (7.1 N-m)
Bearing Inside Diameter (ID)	75.018mm +.005mm -0mm
Bearing Outside Diameter (OD)	150.00mm +.13mm -0mm
Bearing Length	19.60mm
Bearing Weight	476.4g
Recommended Shaft Outside Diameter (OD)	75mm - .02mm
Flow Rate	42.1 SCFH (19.9 NLPM)



INSTALLATION OPTIONS **A** AND **B**



KRACHT

PROPRIETARY AND CONFIDENTIAL
 THE INFORMATION CONTAINED IN THIS DRAWING IS THE SOLE PROPERTY OF OAVCL LLC. ANY REPRODUCTION IN PART OR AS A WHOLE WITHOUT THE WRITTEN PERMISSION OF OAVCO LLC IS PROHIBITED.

		UNLESS OTHERWISE SPECIFIED:	NAME	DATE	
		DIMENSIONS ARE IN MILLIMETERS	DRAWN		
		TOLERANCES:	CHECKED		TITLE: 75MM 3WAY THRUST BEARING
		FRACTIONAL ±	ENG APPR.		
		ANGULAR: MACH ± BEND ±	MFG APPR.		SIZE DWG. NO. REV B OAVTR150i75
		TWO PLACE DECIMAL ±	Q.A.		
		THREE PLACE DECIMAL ±	COMMENTS:		SCALE: 1:1 WEIGHT: SHEET 1 OF 1
NEXT ASSY	USED ON	MATERIAL ALUMINUM 7075/ CARBON			
APPLICATION		FINISH ANODIZE PER MIL-A-8625			
		DO NOT SCALE DRAWING			