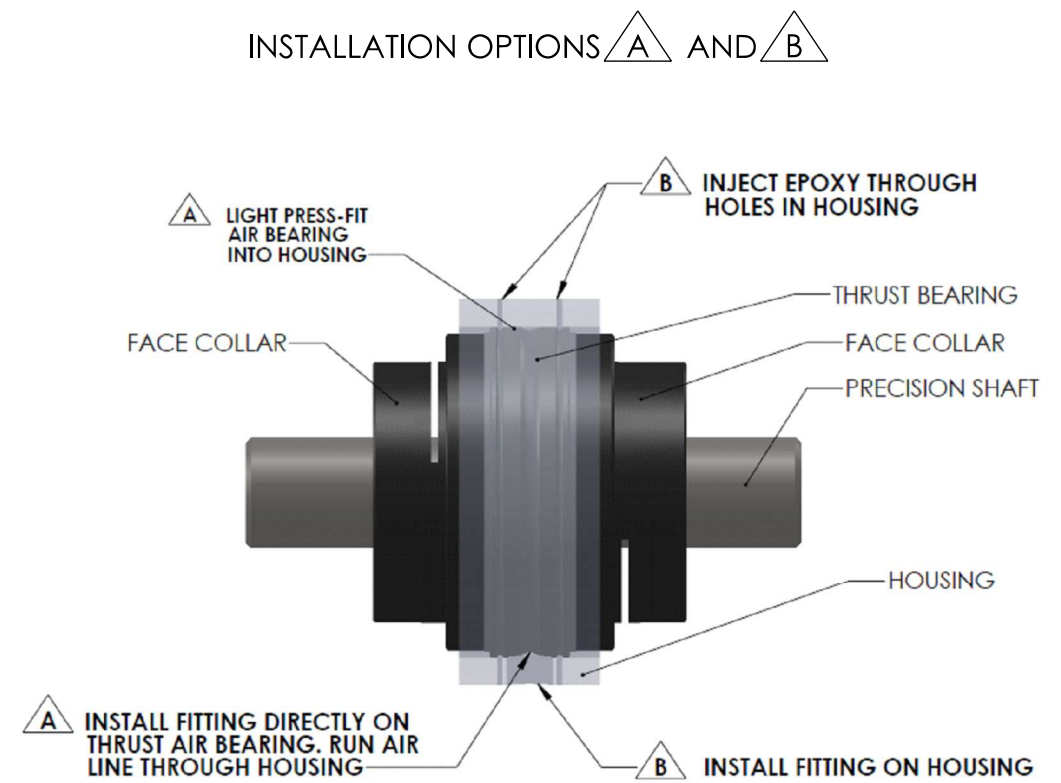
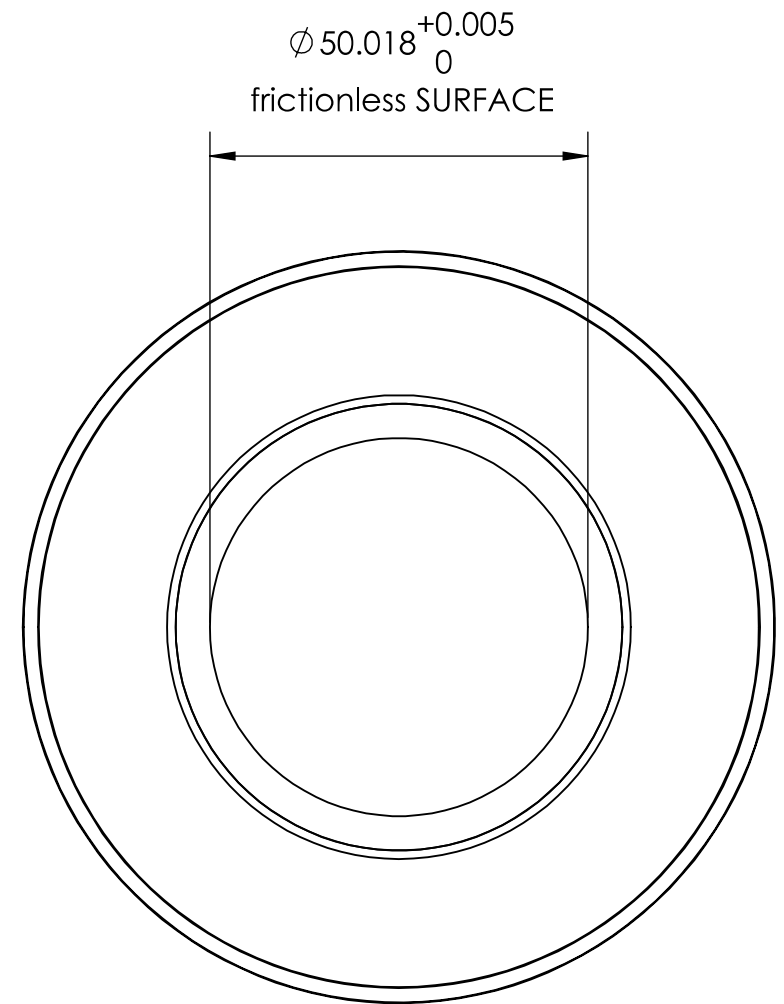
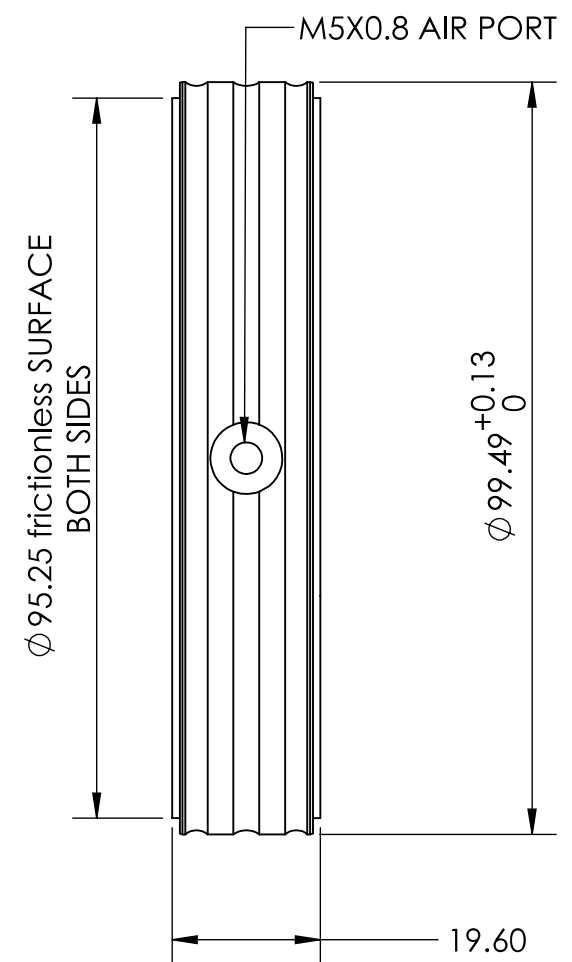



Size	50mm ID
Part Number	OAVTR100i50
Housing Material/Finish	7075 Aircraft Quality Aluminum
Input Pressure	60 psi - 100 max psi
Porous Material	Carbon
Pressure Port Threads	M5x0.8
Lifetime	infinite
Radial Load Capacity	42.9 lbs (191.1 N)
Thrust Load Capacity	193.8 lbs (862.1 N)
Radial Stiffness	0.14 lbs/μ in (24 N/μ m)
Pitch Moment Max	46 lbs-in (5.2 N-m)
Bearing Inside Diameter (ID)	50.018mm +.005mm - 0mm
Bearing Outside Diameter (OD)	99.49mm +.13mm -0mm
Bearing Length	19.60mm
Bearing Weight	266.3g
Recommended Shaft Outside Diameter (OD)	50mm - .02mm
Flow Rate	28.5 SCFH (13.5 NLPM)



**KRACHT**

**PROPRIETARY AND CONFIDENTIAL**  
THE INFORMATION CONTAINED IN THIS DRAWING IS THE SOLE PROPERTY OF OAVCL LLC. ANY REPRODUCTION IN PART OR AS A WHOLE WITHOUT THE WRITTEN PERMISSION OF OAVCO LLC IS PROHIBITED.

UNLESS OTHERWISE SPECIFIED:		NAME	DATE
DIMENSIONS ARE IN MILLIMETERS		DRAWN	
TOLERANCES:		CHECKED	
FRACTIONAL ±		ENG APPR.	
ANGULAR: MACH ± BEND ±		MFG APPR.	
TWO PLACE DECIMAL ±		Q.A.	
THREE PLACE DECIMAL ±		COMMENTS:	
INTERPRET GEOMETRIC TOLERANCING PER:			
MATERIAL			
FINISH			
NEXT ASSY	USED ON		
APPLICATION			
DO NOT SCALE DRAWING			



**TITLE:**  
50MM 3WAY THRUST BEARING

SIZE	DWG. NO.	REV
<b>B</b>	OAVTR100i50	

SCALE: 1:1    WEIGHT:    SHEET 1 OF 1