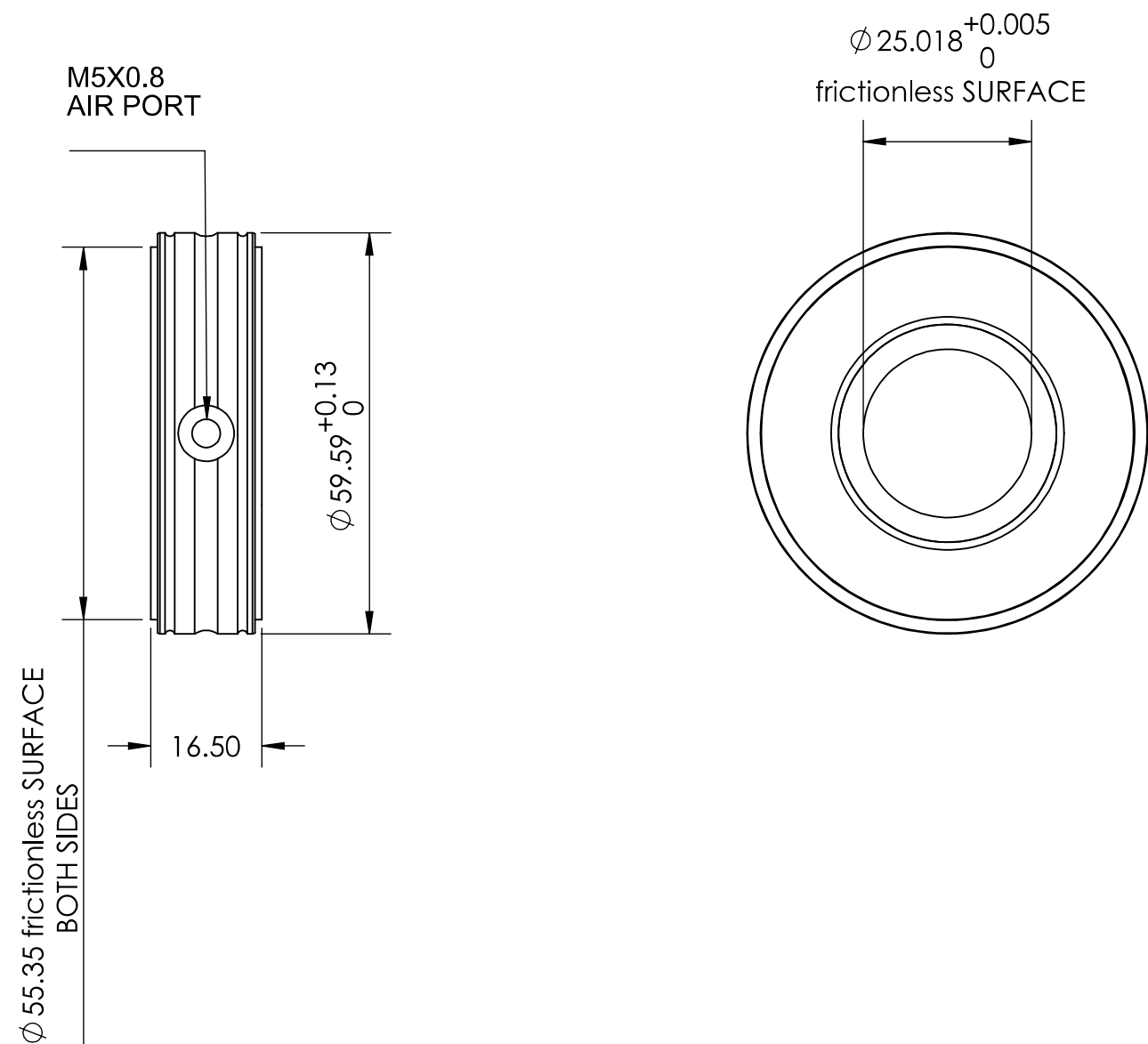
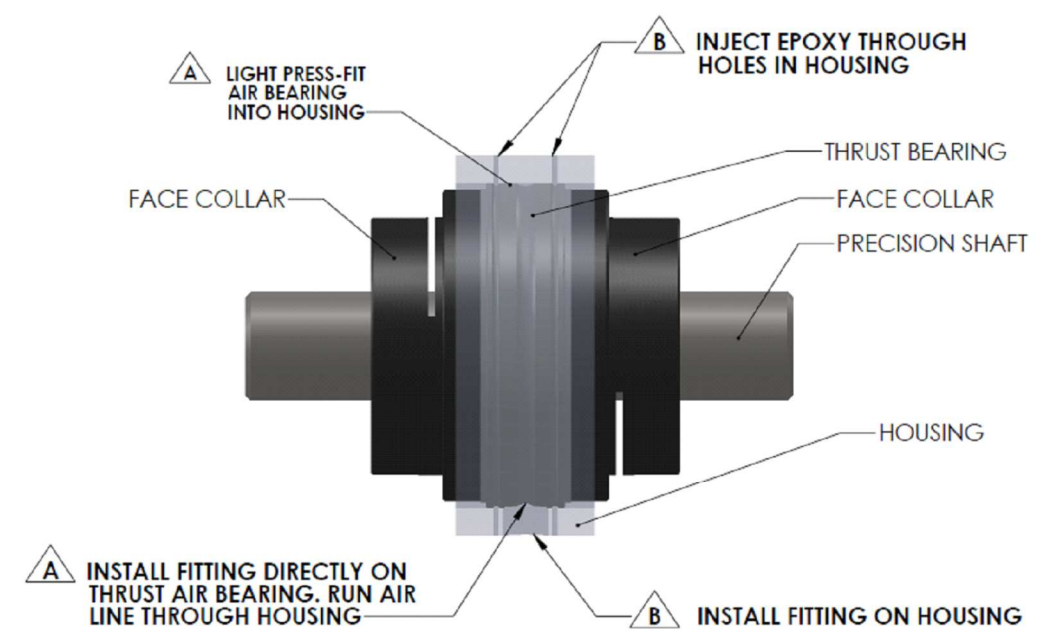


Size	25mm ID
Part Number	OAVTB60i25
Housing Material/Finish	7075 Aircraft Quality Aluminum
Input Pressure	60 psi - 100 max psi
Porous Material	Carbon
Pressure Port Threads	M5 X 0.8
Lifetime	infinite
Radial Load Capacity	14.7 lbs (65.2 N)
Thrust Load Capacity	68.1 lbs (302.9 N)
Radial Stiffness	0.04 lbs/μ in (7.3 N/μ m)
Pitch Moment Max	17 lbs-in (1.9 N-m)
Bearing Inside Diameter (ID)	25.018mm +.005mm - 0mm
Bearing Outside Diameter (OD)	59.59mm +.13mm - 0mm
Bearing Length	16.50mm
Bearing Weight	86.7g
Recommended Shaft Outside Diameter (OD)	25mm - .02mm
Flow Rate	14.8 SCFH (7.0 NLPM)



INSTALLATION OPTIONS **A** AND **B**



PROPRIETARY AND CONFIDENTIAL
 THE INFORMATION CONTAINED IN THIS DRAWING IS THE SOLE PROPERTY OF OAVCL LLC. ANY REPRODUCTION IN PART OR AS A WHOLE WITHOUT THE WRITTEN PERMISSION OF OAVCO LLC IS PROHIBITED.

		UNLESS OTHERWISE SPECIFIED:	NAME	DATE	<p>TITLE: 25MM 3WAY THRUST BEARING</p>
		DIMENSIONS ARE IN MILLIMETERS	DRAWN		
		TOLERANCES:	CHECKED		
		FRACTIONAL ±	ENG APPR.		
		ANGULAR: MACH ± BEND ±	MFG APPR.		
		TWO PLACE DECIMAL ±	Q.A.		SIZE DWG. NO. REV
		THREE PLACE DECIMAL ±	COMMENTS:		B OAVTR60i25
NEXT ASSY	USED ON	MATERIAL			SCALE: 1:1 WEIGHT: SHEET 1 OF 1
		FINISH			
APPLICATION		DO NOT SCALE DRAWING			