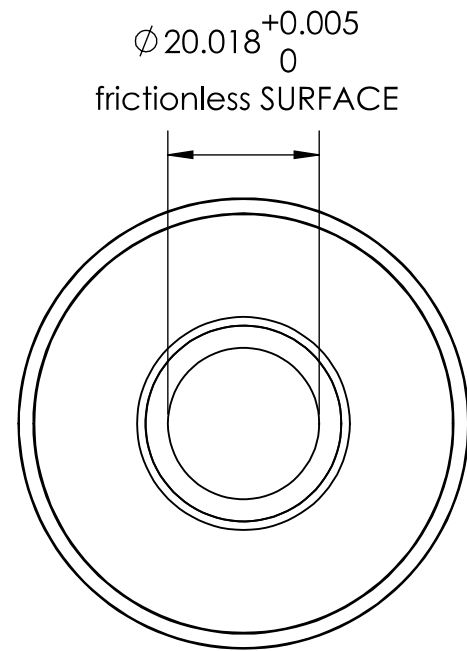
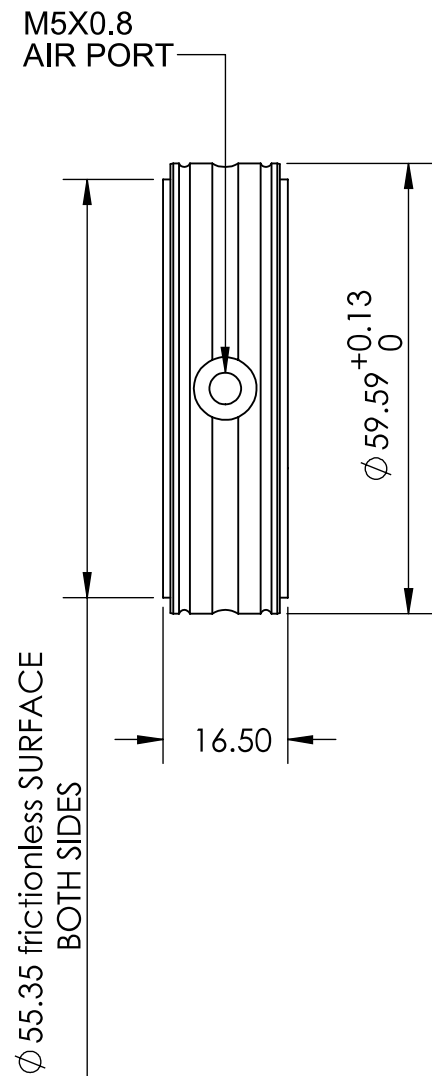
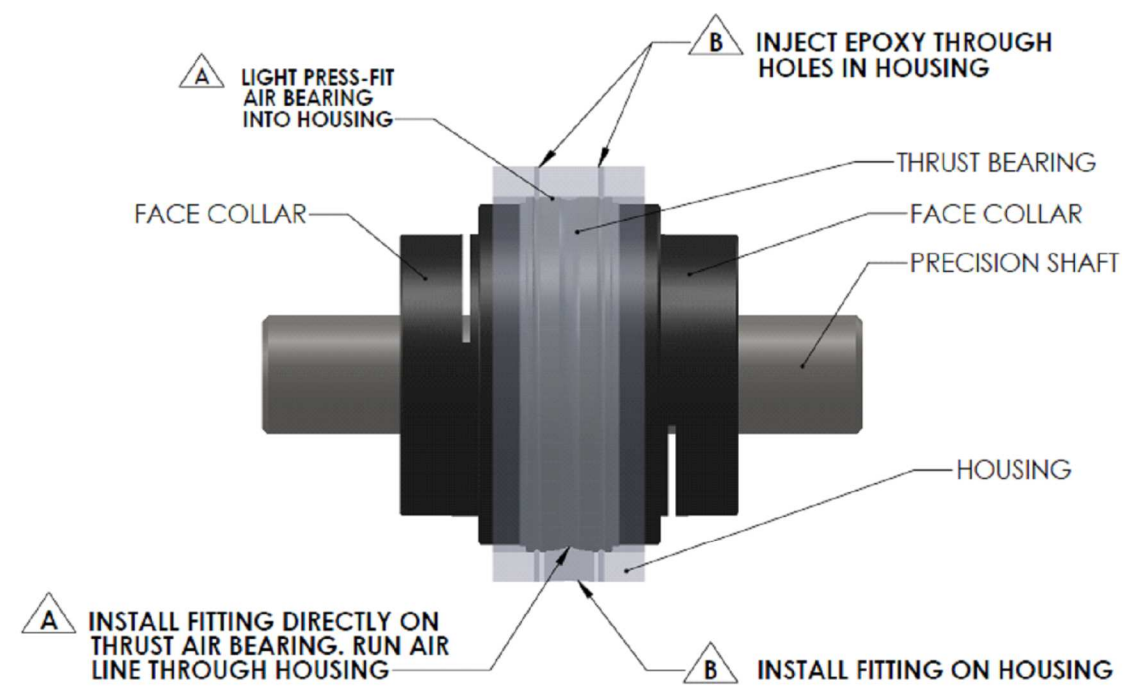


Size	20mm ID
Part Number	OAVTR60i20
Housing Material/Finish	7075 Aircraft Quality Aluminum
Input Pressure	60 psi - 100 max psi
Porous Material	Carbon
Pressure Port Threads	M5 X 0.8
Lifetime	infinite
Radial Load Capacity	11.7 lbs (52.2 N)
Thrust Load Capacity	84.0 lbs (373.7 N)
Radial Stiffness	0.03 lbs/μ in (5 N/μ m)
Pitch Moment Max	10 lbs-in (1.1 N-m)
Bearing Inside Diameter (ID)	20.018mm +.005mm - 0mm
Bearing Outside Diameter (OD)	59.59mm +.13mm -0mm
Bearing Length	16.50mm
Bearing Weight	95.7 g
Recommended Shaft Outside Diameter	20mm - .02mm
Flow Rate	15.6 SCFH (7.4 NLPM)




INSTALLATION OPTIONS **A** AND **B**



KRACHT

PROPRIETARY AND CONFIDENTIAL
 THE INFORMATION CONTAINED IN THIS DRAWING IS THE SOLE PROPERTY OF OAVCL LLC. ANY REPRODUCTION IN PART OR AS A WHOLE WITHOUT THE WRITTEN PERMISSION OF OAVCO LLC IS PROHIBITED.

		UNLESS OTHERWISE SPECIFIED:	NAME	DATE	 TITLE: 20MM 3WAY THRUST BEARING
		DIMENSIONS ARE IN MILLIMETERS	DRAWN		
		TOLERANCES:	CHECKED		
		FRACTIONAL: ±	ENG APPR.		
		ANGULAR: MACH ±	MFG APPR.		SIZE DWG. NO. REV B OAVTR60i20
		TWO PLACE DECIMAL ±	Q.A.		
		THREE PLACE DECIMAL ±	COMMENTS:		SCALE: 1:1 WEIGHT: SHEET 1 OF 1
NEXT ASSY	USED ON	INTERPRET GEOMETRIC TOLERANCING PER:			
		MATERIAL			
		FINISH			
APPLICATION		DO NOT SCALE DRAWING			