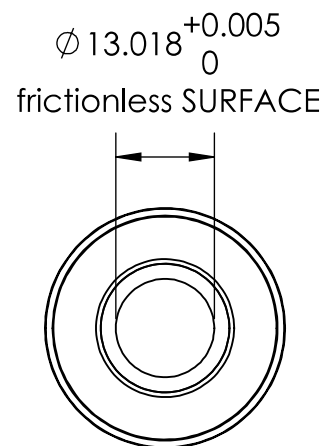
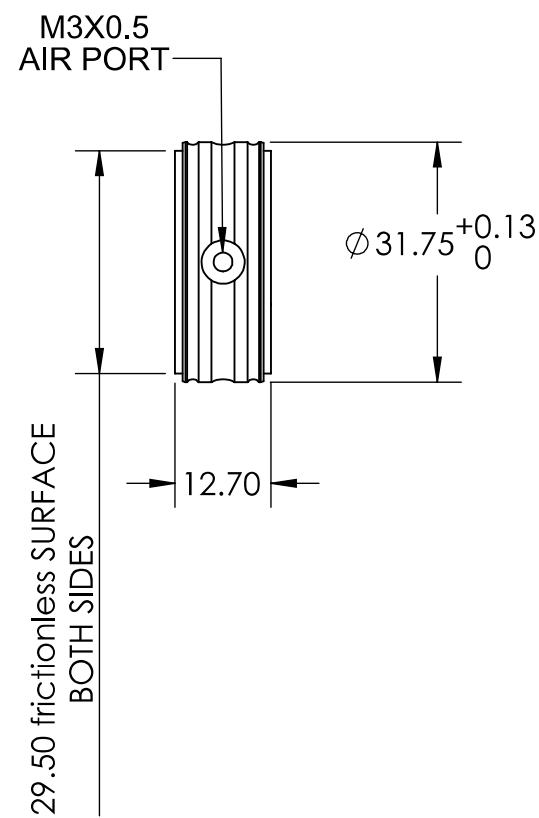
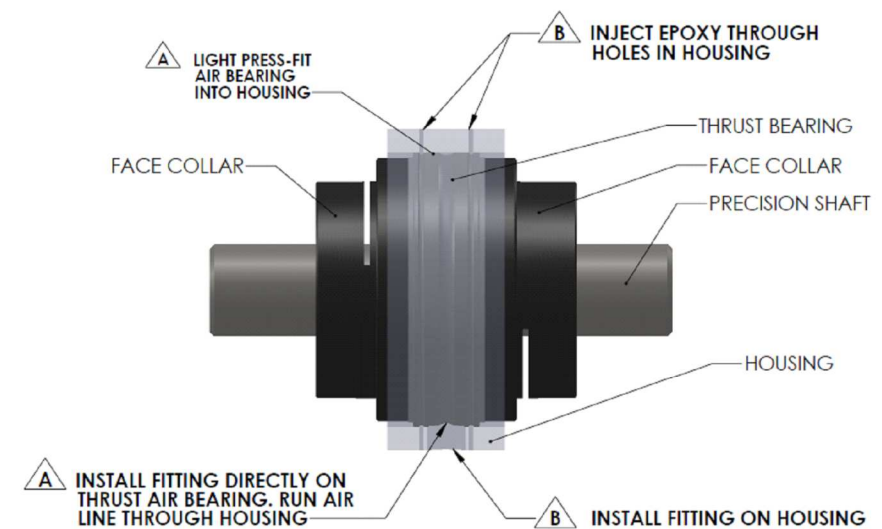


Size	13mm ID
Part Number	OAVTR32i13
Housing Material/Finish	7075 Aircraft Quality Aluminum
Input Pressure	60 psi - 100 max psi
Porous Material	Carbon
Pressure Port Threads	M3X 0.5
Lifetime	infinite
Radial Load Capacity	2.4 lbs (10.7 N)
Thrust Load Capacity	18.3 lbs (81.4N)
Radial Stiffness	0.01 lbs/μ in (2.6 N/μ m)
Pitch Moment Max	7.5 lbs-in (0.8 N-m)
Bearing Inside Diameter (ID)	13.018mm +.005mm - 0mm
Bearing Outside Diameter (OD)	31.75mm +.13mm - 0mm
Bearing Length	12.70mm
Bearing Weight	12.8g
Recommended Shaft Outside Diameter (OD)	13mm - .02mm
Flow Rate	8.1 SCFH (3.8 NLPM)




INSTALLATION OPTIONS **A** AND **B**



KRACHT

PROPRIETARY AND CONFIDENTIAL
 THE INFORMATION CONTAINED IN THIS DRAWING IS THE SOLE PROPERTY OF OAVCL LLC. ANY REPRODUCTION IN PART OR AS A WHOLE WITHOUT THE WRITTEN PERMISSION OF OAVCO LLC IS PROHIBITED.

		UNLESS OTHERWISE SPECIFIED:	NAME	DATE	 TITLE: 13MM 3WAY THRUST BEARING
		DIMENSIONS ARE IN MILLIMETERS	DRAWN		
		TOLERANCES:	CHECKED		
		FRACTIONAL ±	ENG APPR.		
		ANGULAR: MACH ± BEND ±	MFG APPR.		
		TWO PLACE DECIMAL ±	Q.A.		
		THREE PLACE DECIMAL ±	COMMENTS:		
		INTERPRET GEOMETRIC TOLERANCING PER:			SIZE DWG. NO. REV
		MATERIAL			B OAVTR32i13
		FINISH			SCALE: 1:1 WEIGHT: SHEET 1 OF 1
NEXT ASSY	USED ON	APPLICATION	DO NOT SCALE DRAWING		