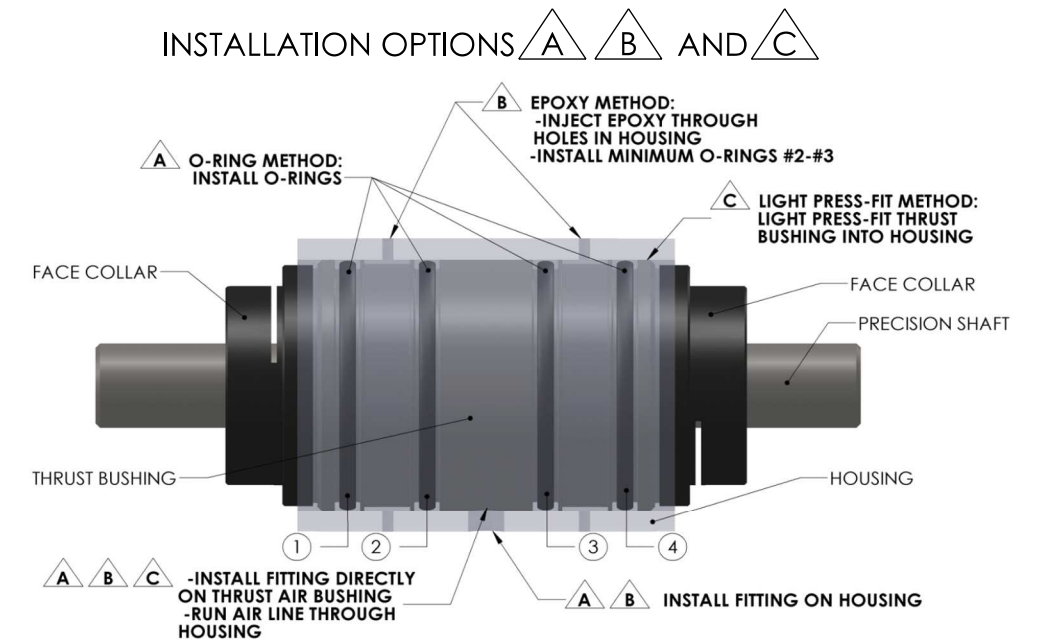
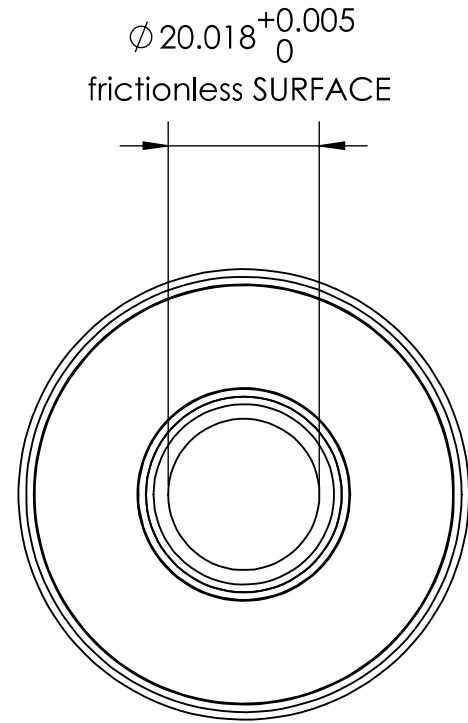
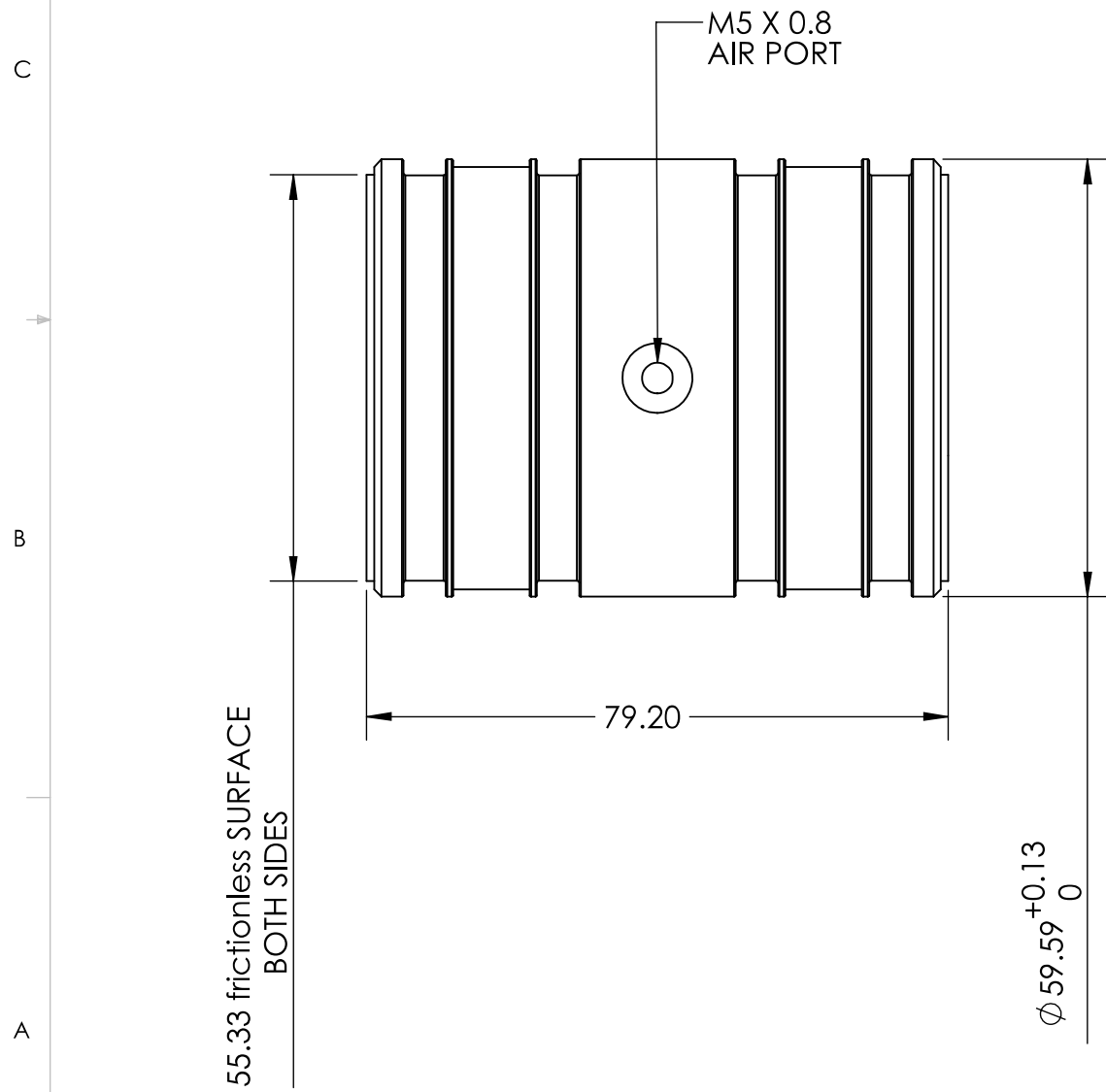


Size	20mm ID
Part Number	OAVTB60i20
Housing Material/Finish	7075 Aircraft Quality Aluminum
Input Pressure	60 psi - 100 max psi
Porous Material	Carbon
Pressure Port Threads	M5 X 0.8
Lifetime	infinite
Radial Load Capacity	54.9 lbs (240.2 N)
Thrust Load Capacity	84 lbs (373.7 N)
Radial Stiffness	0.13 lbs/μ in (23 N/μ m)
Pitch Moment Max	10 lbs-in (1.1 N-m)
Bushing Inside Diameter (ID)	20.018mm +.005mm -.000mm
Bushing Outside Diameter (OD)	59.59mm +.13mm -.00mm
Bushing Length	79.20mm
Bushing Weight	465 g
Recommended Shaft Outside Diameter	20mm - .02mm



KRACHT

PROPRIETARY AND CONFIDENTIAL
THE INFORMATION CONTAINED IN THIS DRAWING IS THE SOLE PROPERTY OF OAVCO LLC. ANY REPRODUCTION IN PART OR AS A WHOLE WITHOUT THE WRITTEN PERMISSION OF OAVCO LLC IS PROHIBITED.

		UNLESS OTHERWISE SPECIFIED:		NAME	DATE
		DIMENSIONS ARE IN MILLIMETERS		DRAWN	
		TOLERANCES:		CHECKED	
		FRACTIONAL ±		ENG APPR.	
		ANGULAR: MACH ± BEND ±		MFG APPR.	
		TWO PLACE DECIMAL ±		Q.A.	
		THREE PLACE DECIMAL ±		COMMENTS:	
		INTERPRET GEOMETRIC TOLERANCING PER:			
		MATERIAL			
		FINISH			
NEXT ASSY	USED ON				
APPLICATION		DO NOT SCALE DRAWING			
TITLE:					
20MM 3-WAY THRUST BUSHING					
SIZE	DWG. NO.			REV	
B	OAVTB60i20				
SCALE: 1:1	WEIGHT:			SHEET 1 OF 1	