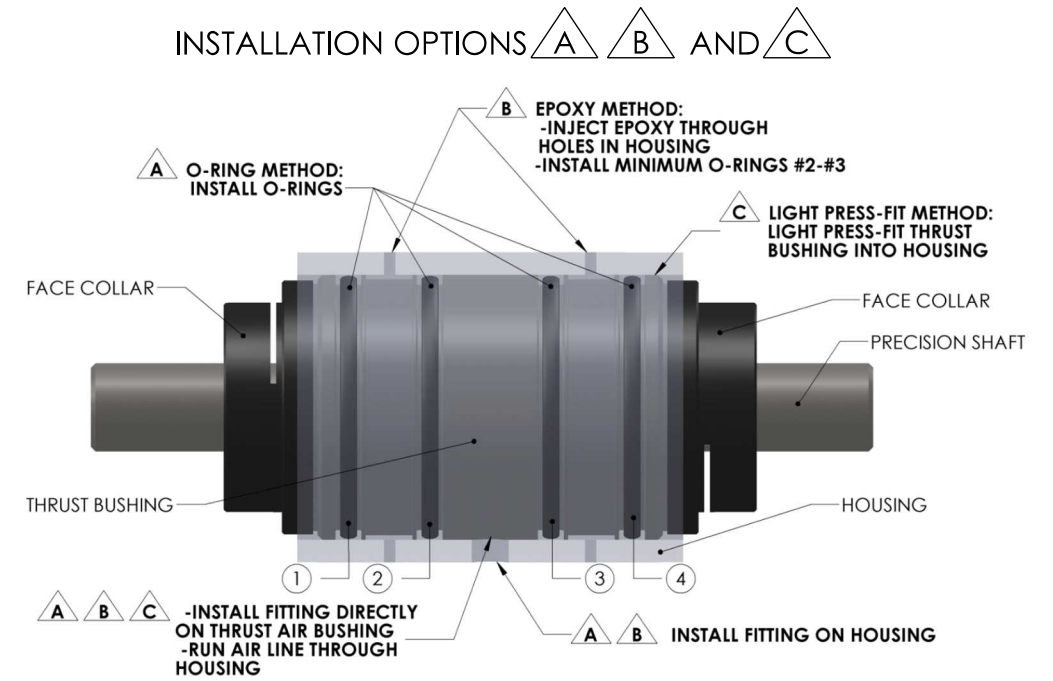
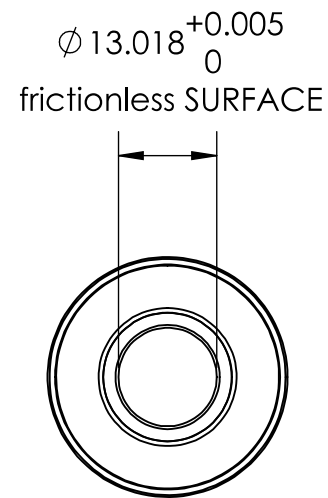
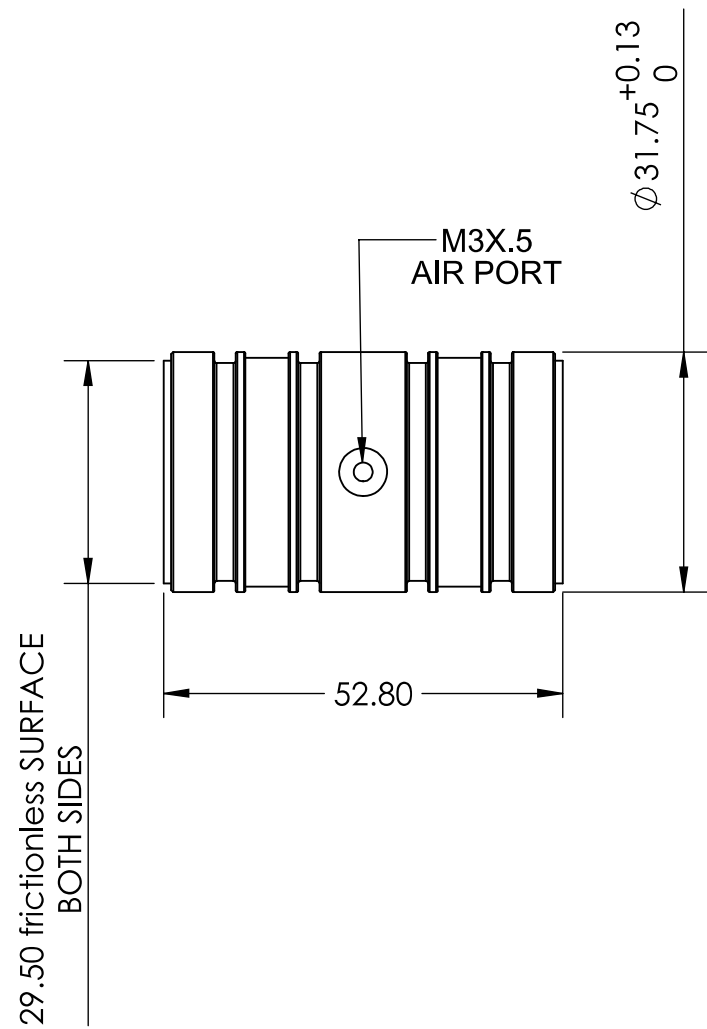


Size	13 mm
Part Number	OAVTB32i13
Housing Material/Finish	7075 Aircraft Quality Aluminum
Input Pressure	.41 Mpa to .68 max Mpa
Porous Material	Carbon
Pressure Port Threads	M3 X 0.5
Lifetime	infinite
Radial Load Max	43.1 N
Thrust Load Max	81.4 N
Radial Stiffness	11 N/ μ m (0.06 lbs/ μ in)
Pitch Moment Max	0.8 N-m (7.5 lbs-in)
Thrust Bushing Inside Diameter (ID)	13.018mm +.005mm -.000mm
Thrust Bushing Outside Diameter (OD)	31.75mm +.13mm -.00mm
Bushing Length	52.80mm
Bushing Weight	86 grams
Recommended Shaft Outside Diameter (OD)	13.00mm - .02mm



KRACHT

PROPRIETARY AND CONFIDENTIAL
THE INFORMATION CONTAINED IN THIS DRAWING IS THE SOLE PROPERTY OF OAVCO LLC. ANY REPRODUCTION IN PART OR AS A WHOLE WITHOUT THE WRITTEN PERMISSION OF OAVCO LLC IS PROHIBITED.

		UNLESS OTHERWISE SPECIFIED:		NAME	DATE
		DIMENSIONS ARE IN MILLIMETERS		DRAWN	
		TOLERANCES:		CHECKED	
		FRACTIONAL \pm		ENG APPR.	
		ANGULAR: MACH \pm BEND \pm		MFG APPR.	
		TWO PLACE DECIMAL \pm		Q.A.	
		THREE PLACE DECIMAL \pm		COMMENTS:	
		INTERPRET GEOMETRIC TOLERANCING PER:			
		MATERIAL			
		FINISH			
NEXT ASSY	USED ON				
APPLICATION		DO NOT SCALE DRAWING			
TITLE:					
<h1>13MM 3-WAY THRUST BUSHING</h1>					
SIZE	DWG. NO.			REV	
B	OAVTB32i13				
SCALE: 1:1		WEIGHT:		SHEET 1 OF 1	