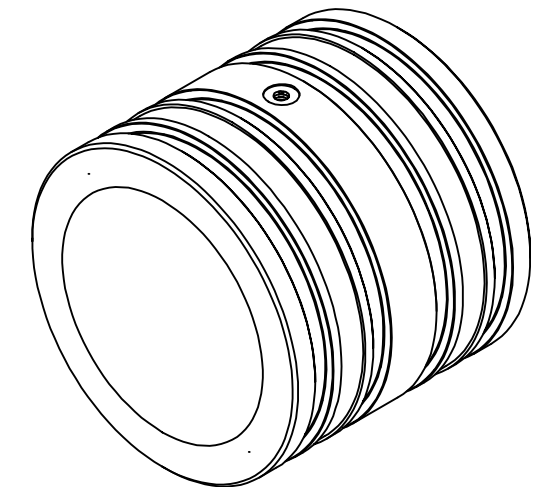
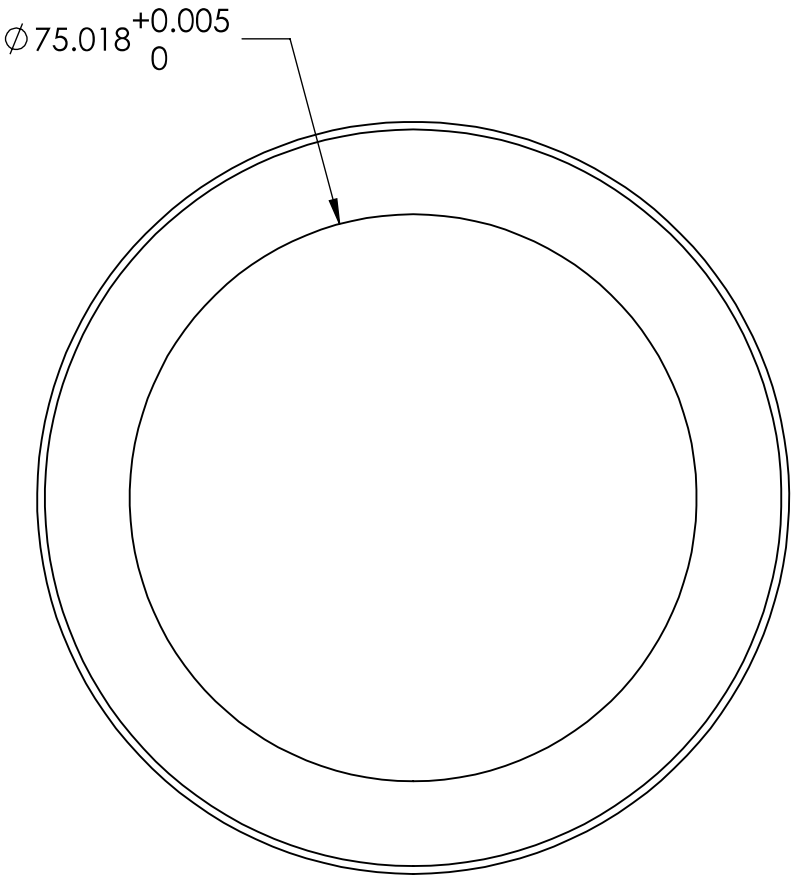
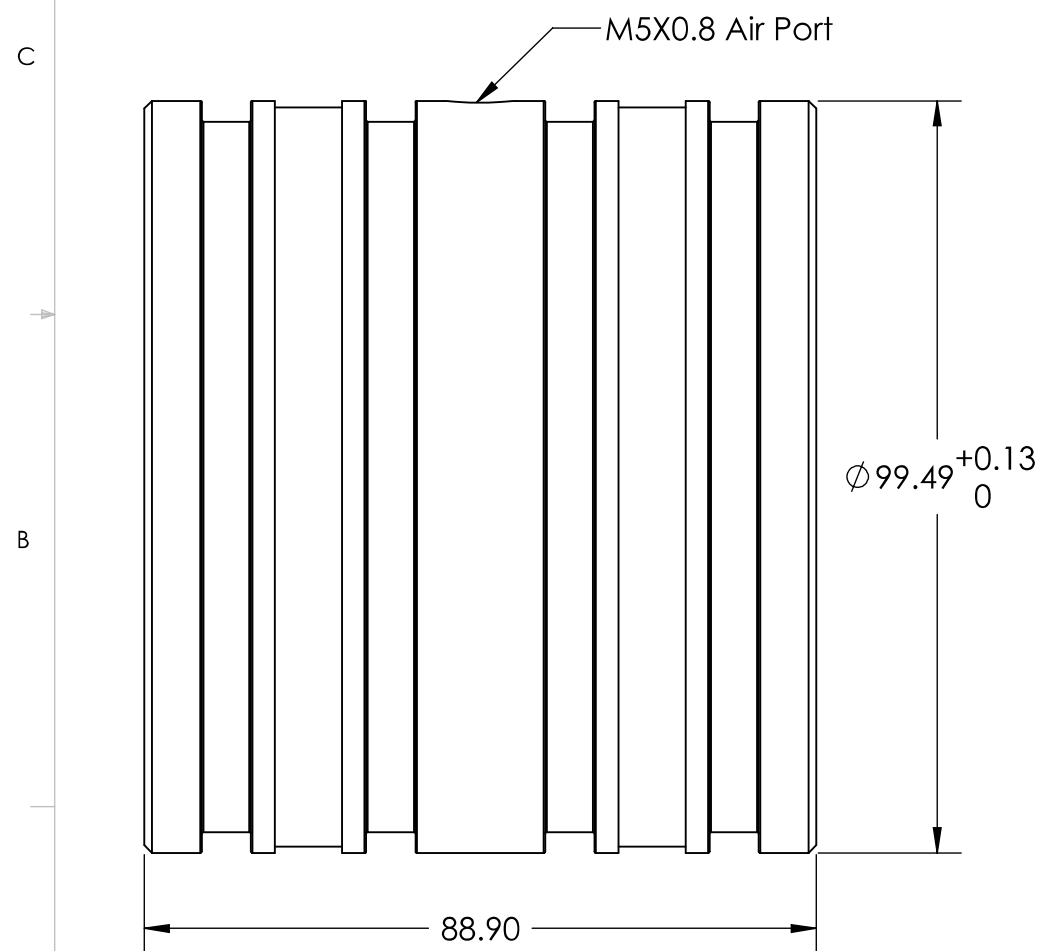


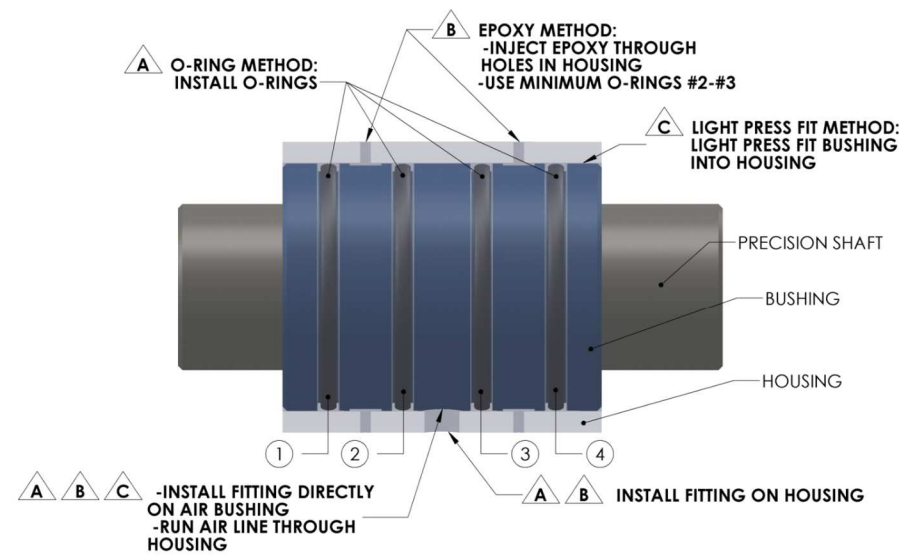
Title	Specification
Size	75 mm ID
Part Number	OAV075MB
Housing Material/Finish	7075 Aircraft Quality Aluminum/ Mil Spec Anodize
Input Pressure	.41 Mpa to .68 max Mpa (60 to 100 PSI)
Porous Material	Carbon
Pressure Port Threads	M5X 0.8
Lifetime	infinite
Radial Load Max	1300 N
Radial Stiffness	159 N/μ m (0.91 lbs/μ in)
Pitch Moment Max	7.1 N-m (63 lbs-in)
Bushing Inside Diameter (ID)	75.018mm +0.005mm -0mm
Bushing Outside Diameter (OD)	99.49mm +.13mm -0mm
Bushing Length	88.90 mm
Bushing Weight	688.1 grams
Recommended Shaft Outside Diameter (OD)	75.00mm - .02mm
Flow Rate	35.42 SCFH



SCALE 1 : 2



INSTALLATION OPTIONS **A** **B** AND **C**



PROPRIETARY AND CONFIDENTIAL
THE INFORMATION CONTAINED IN THIS DRAWING IS THE SOLE PROPERTY OF OAVCO LLC. ANY REPRODUCTION IN PART OR AS A WHOLE WITHOUT THE WRITTEN PERMISSION OF OAVCO LLC IS PROHIBITED.

UNLESS OTHERWISE SPECIFIED:		NAME	DATE
DIMENSIONS ARE IN MILLIMETERS		DRAWN	
TOLERANCES:		CHECKED	
FRACTIONAL ±		ENG APPR.	
ANGULAR: MACH ± BEND ±		MFG APPR.	
TWO PLACE DECIMAL ±		Q.A.	
THREE PLACE DECIMAL ±		COMMENTS:	
INTERPRET GEOMETRIC TOLERANCING PER:			
MATERIAL ALUMINUM 7075/ CARBON			
FINISH ANODIZE PER MIL-A-8625			
NEXT ASSY	USED ON		
APPLICATION		DO NOT SCALE DRAWING	

TITLE: 75 MM AIR BUSHING		
SIZE B	DWG. NO. OAV075MB	REV
SCALE: 1:1	WEIGHT:	SHEET 1 OF 1