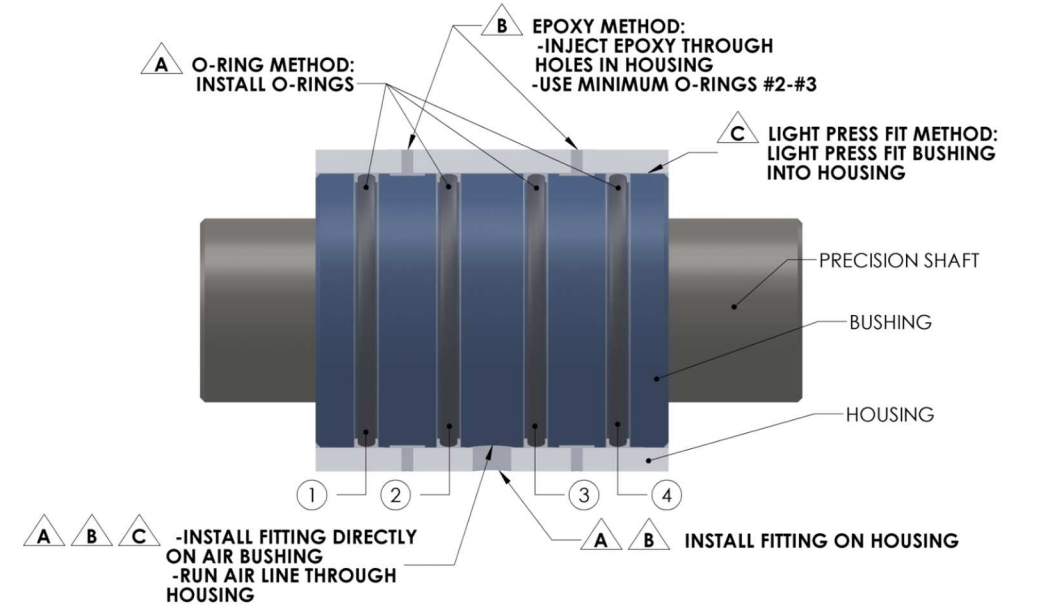
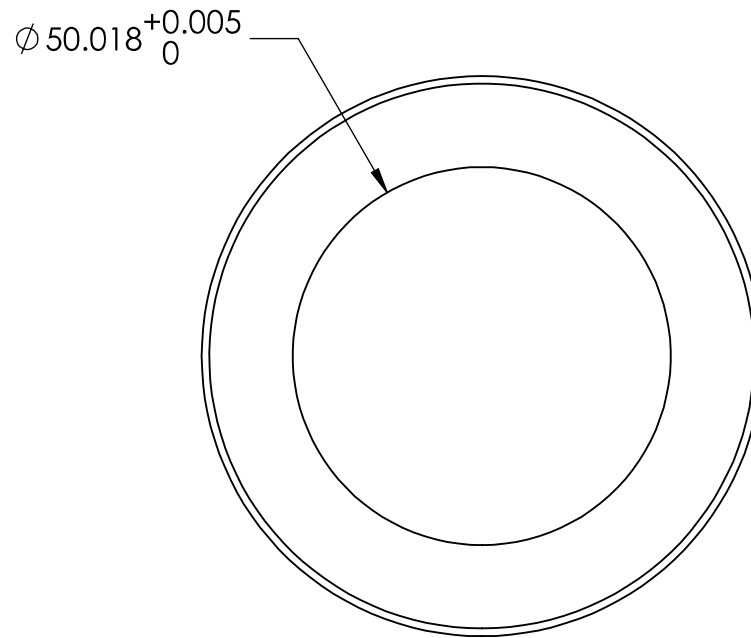
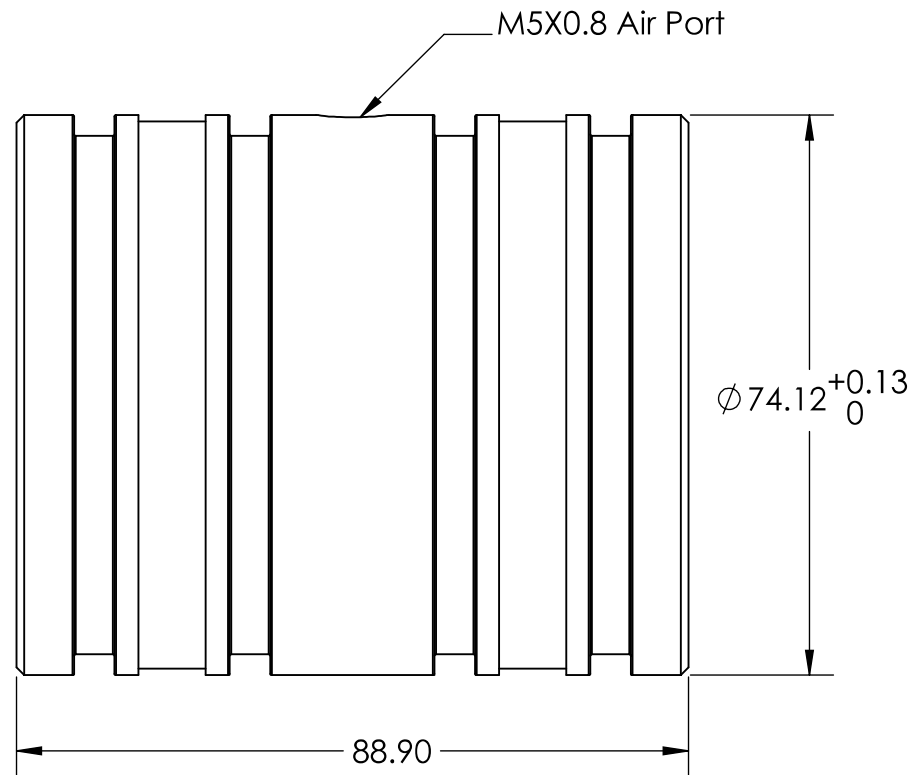
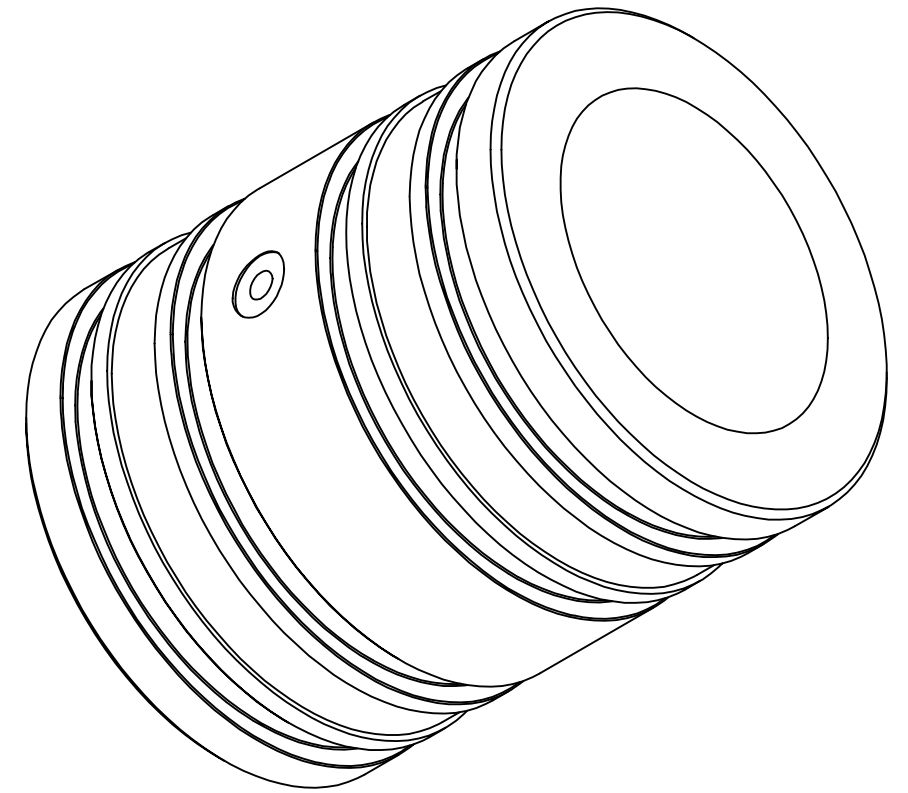



Title	Specification
Size	50 mm ID
Part Number	OAV050MB
Housing Material/Finish	7075 Aircraft Quality Aluminum/ Mil Spec Anodize
Input Pressure	.41 Mpa to .68 max Mpa (60 to 100 PSI)
Porous Material	Carbon
Pressure Port Threads	M5X 0.8
Lifetime	infinite
Radial Load Max	866.3 N
Radial Stiffness	110 N/μ m (0.63 lbs/μ in)
Pitch Moment Max	5.2 N-m (46 lbs-in)
Bushing Inside Diameter (ID)	50.018mm +.005mm -0mm
Bushing Outside Diameter (OD)	74.12mm +.13mm -0mm
Bushing Length	89.90mm
Bushing Weight	443.0 grams
Recommended Shaft Outside Diameter (OD)	50.00mm - .02mm
Flow Rate	23.57 SCFH



KRACHT

PROPRIETARY AND CONFIDENTIAL
THE INFORMATION CONTAINED IN THIS DRAWING IS THE SOLE PROPERTY OF OAVCO LLC. ANY REPRODUCTION IN PART OR AS A WHOLE WITHOUT THE WRITTEN PERMISSION OF OAVCO LLC IS PROHIBITED.

		UNLESS OTHERWISE SPECIFIED:	NAME	DATE	 TITLE: 50 MM AIR BUSHING
		DIMENSIONS ARE IN MILLIMETERS	DRAWN		
		TOLERANCES: FRACTIONAL ± ANGULAR: MACH ± BEND ± TWO PLACE DECIMAL ± THREE PLACE DECIMAL ±	CHECKED		
		INTERPRET GEOMETRIC TOLERANCING PER:	ENG APPR.		
		MATERIAL ALUMINUM 7075/ CARBON	MFG APPR.		SIZE DWG. NO. REV B OAV050MB
NEXT ASSY	USED ON	FINISH ANODIZE PER MIL-A-8625	Q.A.		
APPLICATION		DO NOT SCALE DRAWING	COMMENTS:		SCALE: 1:1 WEIGHT: SHEET 1 OF 1