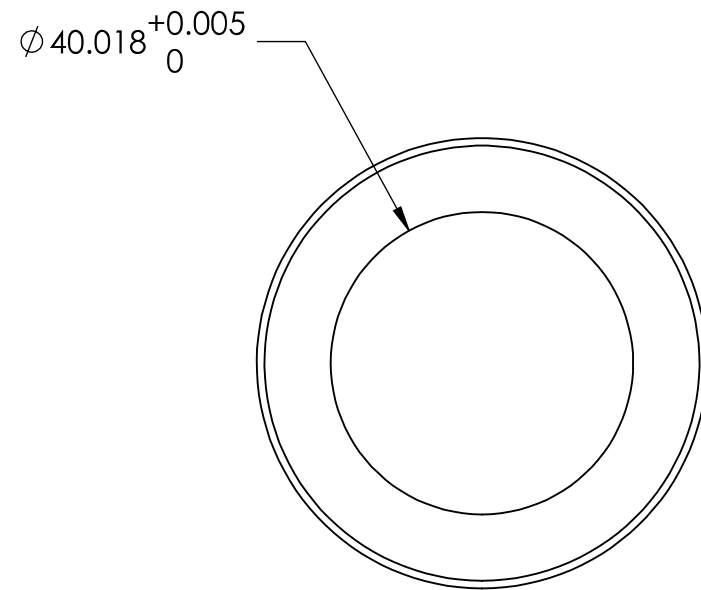
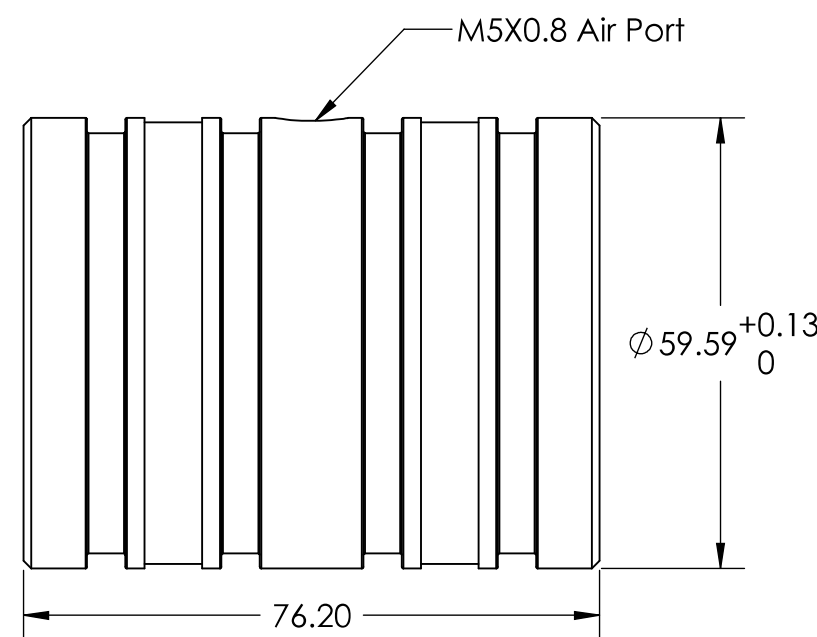
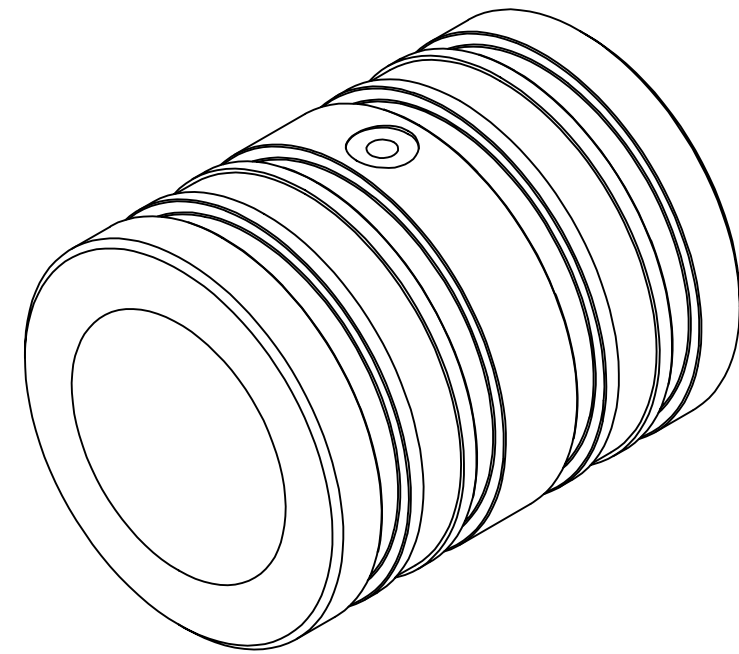
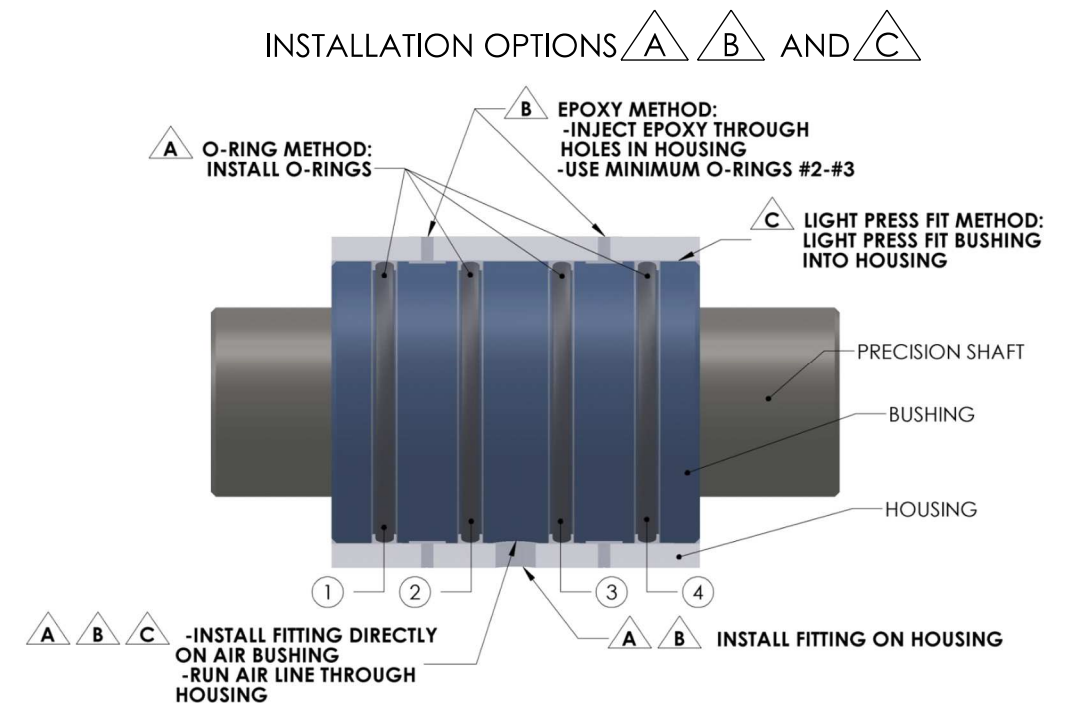


Title	Specification
Size	40 mm ID
Part Number	OAV040MB
Housing Material/Finish	7075 Aircraft Quality Aluminum/ Mil Spec Anodize
Input Pressure	.41 Mpa to .68 max Mpa (60 to 100 PSI)
Porous Material	Carbon
Pressure Port Threads	M5X 0.8
Lifetime	infinite
Radial Load Max	593.8 N
Radial Stiffness	72 N/μm (0.41 lbs/μin)
Pitch Moment Max	3.1 N-m (28 lbs-in)
Bushing Inside Diameter (ID)	40.018mm +.005mm -0mm
Bushing Outside Diameter (OD)	59.59mm +.13mm -0mm
Bushing Length	76.20mm
Bushing Weight	249.1 grams
Recommended Shaft Outside Diameter (OD)	40.00mm - .02mm
Flow Rate	18.85 SCFH




INSTALLATION OPTIONS **A** **B** AND **C**



**PROPRIETARY AND CONFIDENTIAL**  
THE INFORMATION CONTAINED IN THIS DRAWING IS THE SOLE PROPERTY OF OAVCO LLC. ANY REPRODUCTION IN PART OR AS A WHOLE WITHOUT THE WRITTEN PERMISSION OF OAVCO LLC IS PROHIBITED.

UNLESS OTHERWISE SPECIFIED:		NAME	DATE
DIMENSIONS ARE IN MILLIMETERS		DRAWN	
TOLERANCES:		CHECKED	
FRACTIONAL ±		ENG APPR.	
ANGULAR: MACH ± BEND ±		MFG APPR.	
TWO PLACE DECIMAL ±		Q.A.	
THREE PLACE DECIMAL ±		COMMENTS:	
INTERPRET GEOMETRIC TOLERANCING PER:			
MATERIAL ALUMINUM 7075/ CARBON			
FINISH ANODIZE PER MIL-A-8625			
NEXT ASSY	USED ON		
APPLICATION			
DO NOT SCALE DRAWING			



**TITLE:**  
**40 MM AIR BUSHING**

SIZE **B** DWG. NO. **OAV040MB** REV

SCALE: 1:1 WEIGHT: SHEET 1 OF 1