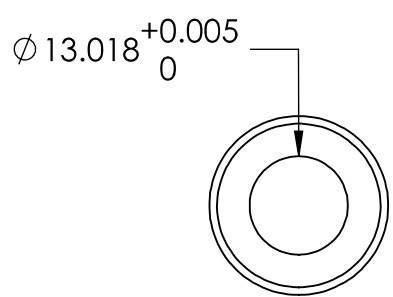
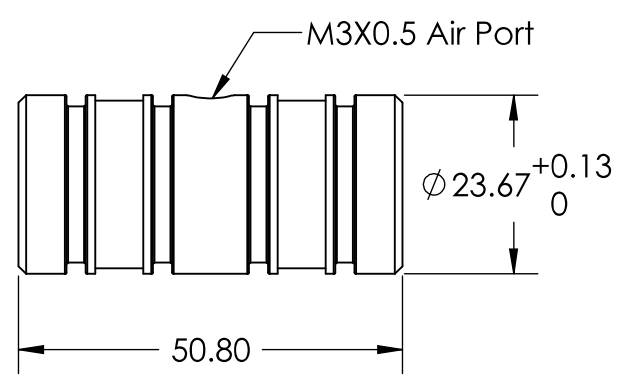
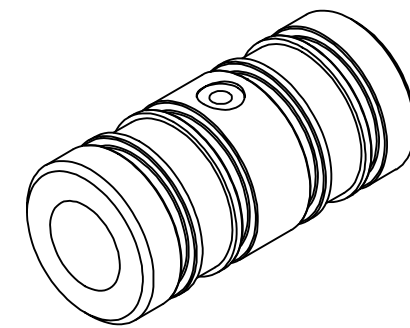
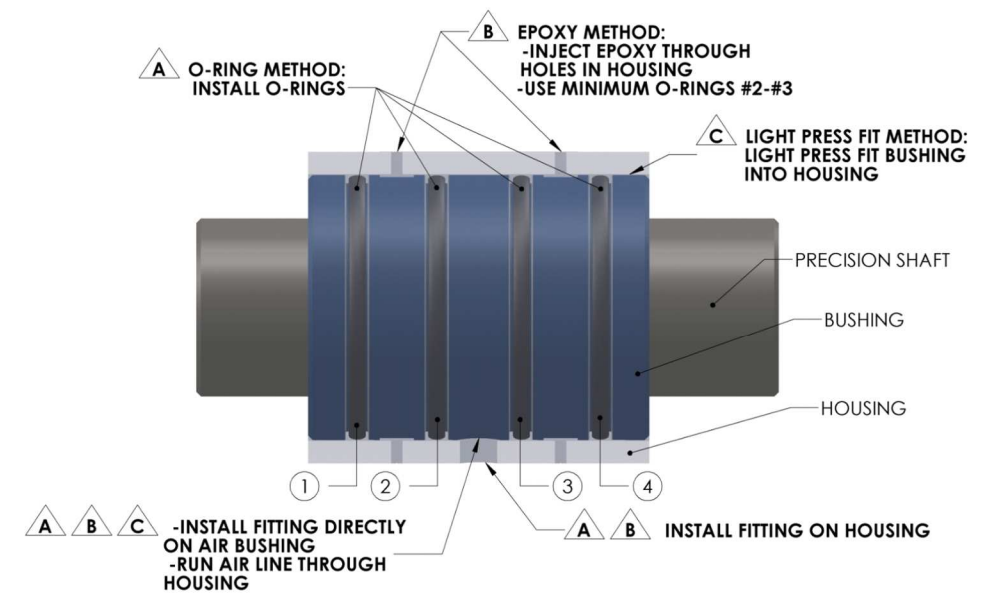


Title	Specification
Size	13 mm ID
Part Number	OAV013MB
Housing Material/Finish	7075 Aircraft Quality Aluminum/ Mil Spec Anodize
Input Pressure	.41 Mpa to .68 max Mpa (60 to 100 PSI)
Porous Material	Carbon
Pressure Port Threads	M3 X 0.5
Lifetime	infinite
Radial Load Max	42.5 N
Radial Stiffness	11 N/ $\mu$ m (0.06 lbs/ $\mu$ in)
Pitch Moment Max	0.8 N-m (7.5 lbs-in)
Bushing Inside Diameter (ID)	13.018mm $\pm$ .005mm -0mm
Bushing Outside Diameter (OD)	23.67mm $\pm$ .13mm -.00mm
Bushing Length	50.80 mm
Bushing Weight	32.5 grams
Recommended Shaft Outside Diameter (OD)	13.00mm - .02mm
Flow Rate	6.12 SCFH



INSTALLATION OPTIONS **A** **B** AND **C**



**PROPRIETARY AND CONFIDENTIAL**  
THE INFORMATION CONTAINED IN THIS DRAWING IS THE SOLE PROPERTY OF OAVCO LLC. ANY REPRODUCTION IN PART OR AS A WHOLE WITHOUT THE WRITTEN PERMISSION OF OAVCO LLC IS PROHIBITED.

UNLESS OTHERWISE SPECIFIED:		NAME	DATE	<p>TITLE: <b>13 MM AIR BUSHING</b></p> <p>SIZE <b>B</b> DWG. NO. <b>OAV013MB</b> REV</p> <p>SCALE: 1:1 WEIGHT: SHEET 1 OF 1</p>
DIMENSIONS ARE IN MILLIMETERS		DRAWN		
TOLERANCES:		CHECKED		
FRACTIONAL $\pm$		ENG APPR.		
ANGULAR: MACH $\pm$ BEND $\pm$		MFG APPR.		
TWO PLACE DECIMAL $\pm$		Q.A.		
THREE PLACE DECIMAL $\pm$		COMMENTS:		
INTERPRET GEOMETRIC TOLERANCING PER:				
MATERIAL ALUMINUM 7075/ CARBON				
FINISH ANODIZE PER MIL-A-8625				
NEXT ASSY	USED ON			
APPLICATION		DO NOT SCALE DRAWING		